

# DH-IPC-HFW1230S1-S4

2MP Entry IR Fixed Focal Bullet Network Camera



- 2MP, 1/2.7" CMOS image sensor, low illuminance, high image definition
- Outputs max. 2MP (1920 × 1080p) @25/30 fps
- H.265 codec, high compression rate, ultra-low bit rate
- Built-in IR LED, max. IR distance: 30 m
- ROI, SMART H.264/H.265, flexible coding, applicable to various bandwidth and storage environments
- Rotation mode, DWDR, 3D DNR, HLC, BLC, digital watermarking, applicable to various monitoring scenes
- Abnormality detection: Motion detection, video tampering, network disconnection, IP conflict, illegal access
- 12V DC/PoE power support
- IP67 protection



## System Overview

With features of simple installation, easy operation, and high performance-cost ratio, Dahua Entry Series camera is applicable to small and medium-sized scenes, such as homes/residences, small-sized retail stores, and other small and medium-sized enterprises.

## Functions

### Smart (H.265+ & H.264+)

With advanced scene-adaptive rate control algorithm, Dahua smart encoding technology realizes the higher encoding efficiency than H.265 and H.264, provides high-quality video, and reduces the cost of storage and transmission.

### Motion Detection

When moving objects appear in the monitoring image, Dahua Motion Detection technology triggers alarm or records.

### Smart IR

Dahua Smart IR technology can display image in the environment of low illuminance or completely dark environment. According to the distance of the targets, the camera adjusts IR LEDs intensity automatically to display the details of the moving target.

### Image Flip

For narrow and long scenes, Dahua image flip technology flips the image by 90°/270° to realize better surveillance in rotation mode.

### Protection (IP67, wide voltage)

IP67: The camera passes a series of strict test on dust and soak. It has dust-proof function, and the enclosure can work normal after soaking in 1 m deep water for 30 minutes.

Wide voltage: The camera allows ±30% input voltage tolerance (wide voltage range), and it is widely applied to outdoor environment with instable voltage.

## Technical Specification

### Camera

Image Sensor	1/2.7" 2Megapixel progressive CMOS
Effective Pixels	1920 (H) × 1080 (V)
ROM	16 MB
RAM	64 MB
Scanning System	Progressive
Electronic Shutter Speed	Auto/Manual 1/3 s–1/100000 s
Min. Illumination	0.01 Lux @F2.0
IR Distance	30 m (98.4 ft)
IR On/Off Control	Auto/Manual
IR LEDs Number	1
Pan/Tilt/Rotation Range	Horizontal: 0°–360° Vertical: 0°–90° Rotation: 0°–360°

### Lens

Lens Type	Fixed				
Mount Type	M12				
Focal Length	2.8 mm 3.6 mm				
Max. Aperture	F2.0 F2.0				
Field of View	2.8 mm: Horizontal: 105° Vertical: 57° Diagonal: 125° 3.6 mm: Horizontal: 87° Vertical: 47° Diagonal: 104°				
Iris Type	Fixed aperture				
Close Focus Distance	2.8 mm: 0.5 m (1.6 ft) 3.6 mm: 0.9 m (3.0 ft)				
DORI Distance	Lens	Detect	Observe	Recognize	Identify
	2.8 mm	37.3 m (122.4 ft)	14.9 m (48.9 ft)	7.5 m (24.6 ft)	3.7 m (12.1 ft)
	3.6 mm	53.3 m (174.9 ft)	21.3 m (69.9 ft)	10.7 m (35.1 ft)	5.3 m (17.4 ft)

### Video

Video Compression	H.265; H.264; H.264H; H.264B; MJPEG
Smart Codec	Yes
Video Frame Rate	Main Stream: 1920 × 1080 (1 fps–25/30 fps) Sub stream: 704 × 576 (1 fps–25 fps) 704 × 480 (1 fps–30 fps)
Stream Capability	2 streams
Resolution	1080p (1920 × 1080); 1.3m (1280 × 960); 720p (1280 × 720); D1 (704 × 576/704 × 480); VGA (640 × 480); CIF (352 × 288/352 × 240)
Bit Rate Control	CBR/VBR

Video Bit Rate	H.264: 32 Kbps–6144 Kbps H.265: 12 Kbps–6400 Kbps
Day/Night	Auto(ICR)/Color/B/W
BLC	Yes
HLC	Yes
WDR	DWDR
White Balance	Auto/natural/street lamp/outdoor/manual/regional custom
Gain Control	Auto/Manual
Noise Reduction	3D DNR
Motion Detection	OFF/ON (4 areas, rectangular)
Region of Interest(Rol)	Yes (4 areas)
Electronic Image Stabilization(EIS)	Yes
Smart IR	Yes
Image Rotation	0°/90°/180°/270° (Support 90°/270° with 1080p resolution.)
Mirror	Yes
Privacy Masking	4 areas

### Network

Network	RJ-45 (10/100 Base-T)
Protocol	IPv4; HTTP; HTTPS; TCP; UDP; ARP; RTP; RTSP; SMTP; FTP; DHCP; DNS; NTP; Multicast
Interoperability	ONVIF (Profile G); CGI; P2P; Genetec
User/Host	20
Edge Storage	FTP; Dahua Cloud
Browser	IE Chrome Firefox
Management Software	Smart PSS; DSS; DMSS
Mobile Phone	IOS; Android

### Certification

Certifications	CE-LVD: EN60950-1 CE-EMC: Electromagnetic Compatibility Directive 2014/30/EU FCC: 47 CFR FCC Part 15, Subpart B
----------------	---

### Power

Power Supply	12V DC/PoE (802.3af)
Power Consumption	< 4.3W

### Environment

Operating Conditions	-40°C to +60°C (-40°F to +140°F)/less than ≤ 95%
Storage Temperature	-40°C to +60°C (-40°F to +140°F)
Ingress Protection	IP67

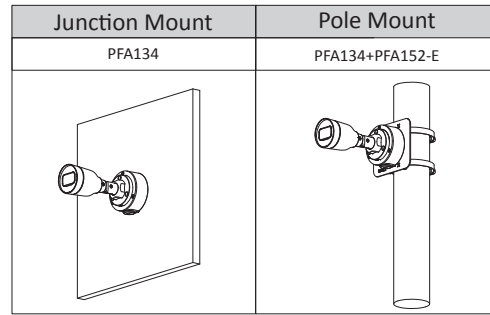
# Entry Series | DH-IPC-HFW1230S1-S4

## Structure

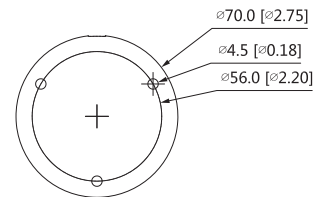
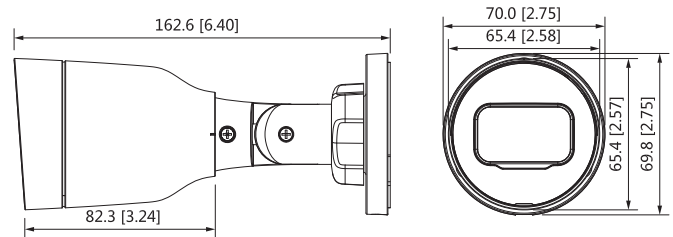
Casing	Metal + plastic
Dimensions	162.6 mm × Φ70 mm (6.4" × Φ2.8")
Net Weight	0.22 kg (0.4 lb)
Gross Weight	0.34 kg (0.7 lb)

## Ordering Information

Type	Part Number	Description
2MP Camera	DH-IPC-HFW1230S1P-S4	2MP Entry IR Fixed Focal Bullet Netwok Camera,PAL
	DH-IPC-HFW1230S1N-S4	2MP Entry IR Fixed Focal Bullet Netwok Camera,NTSC
Accessories (optional)	PFA134	Junction Box
	PFA152-E	Pole Mount
	PFM321D	DC12V1A Power Adapter
	LR1002-1ET/1EC	Single-port Long Reach Ethernet over Coax Extender
	PFM900-E	Integrated Mount Tester



## Dimensions (mm[inch])



## Accessories

### Optional:



PFA134  
Junction Box



PFA152-E  
Pole Mount



PFM321D  
DC12V1A Power  
Adapter



LR1002-1ET/1EC  
Single-port Long  
Reach Ethernet over  
Coax Extender



PFM900-E  
Integrated Mount  
Tester